

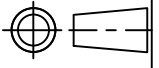


SHREENATH ENGINEERING

PLOT NO-B/22, ZAVERI ESTATE,
NR. KATHWADA G.I.D.C., KATHWADA-SINGARVA ROAD,
KATHWADA, AHMEDABAD-382 430, GUJARAT, INDIA.
MOBILE :- +91 9825530462, 9979082211
E-mail: neconvalves@yahoo.com / Website : www.neconvalves.com

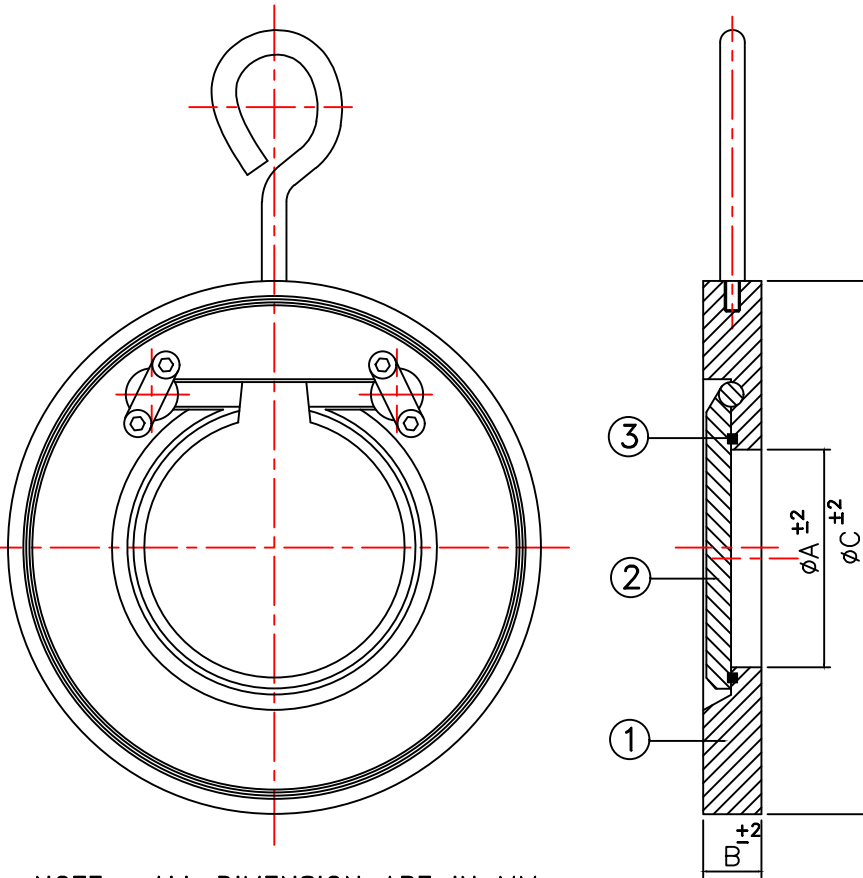
DRN
MASUM

DATE
10/06/2024



WAFER TYPE CHECK VALVE.

DRG. NO : SE/CHK/200-250-300-350-400
450-500-600



NOTE : ALL DIMENSION ARE IN MM.

SIZE		A	B	C				
MM	INCH			PN10	PN16	BS10D	BS10E	ANSI#150
200	8"	157	28.5	274	274	274	272	278
250	10"	195	28.5	329	329	335	335	339
300	12"	230	38	379	385	385	383	409
350	14"	270	44.5	438	444	446	446	449
400	16"	310	51	489	496	496	496	512
450	18"	360	60.5	538	555	559	559	545
500	20"	406	63.5	593	696	616	616	605
600	24"	490	70	695	799	727	724	714

MATERIAL OF CONSTRUCTION

NO	PART NAME	MATERIAL
1	BODY	C.I./SGI/WCB/S.S 304/316
2	DISC	M.S/S.S 304/316
3	SEAT	NITRILE/EPDM/VITON/SILICON/PTFE

SEAT TEMPERATURE RANGE

SEAT TYPE	TEMPERATURE RANGE	
	Min.	Max.
NITRILE	-13°F(-25°C)	212°F(100°C)
EPDM	-13°F(-25°C)	250°F(120°C)
SILICON	-58°F(-50°C)	356°F(180°C)
VITON	-23°F(-5°C)	392°F(200°C)
HYPALON	-4°F(-20°C)	250°F(120°C)

TESTING

PRESSURE RATING	HYDROSTATIC SHELL TEST		HYDROSTATIC SEAT TEST	
	Kg/CM2	PSI	Kg/CM2	PSI
PN16	22	310	16	225
PN10	15	210	10	140

CONFORMITY TO CODES & STANDARDS

GENERAL DESIGN & MANUFACTURE :- API 6D/ANSI B16
VALVE FACE TO FACE DIMENSION :- API 6D/ANSI B16
VALVE INSPECTION & TESTING :- API 598 / ANSI B16
FLANGE STANDARD CONFORMITY :- ANSI 150,DIN PN 10 & PN16,BS 10 TABLE D&E

THIS DRAWING IS PROPERTY OF SHREENATH ENGINEERING.
SHREENATH ENGINEERING RESERVES RIGHTS OF USE,CHANGE & MODIFY PRODUCT DESIGN OR PRODUCT WITHOUT PRIOR NOTICE.

CHECKED BY :-

APPROVED :-